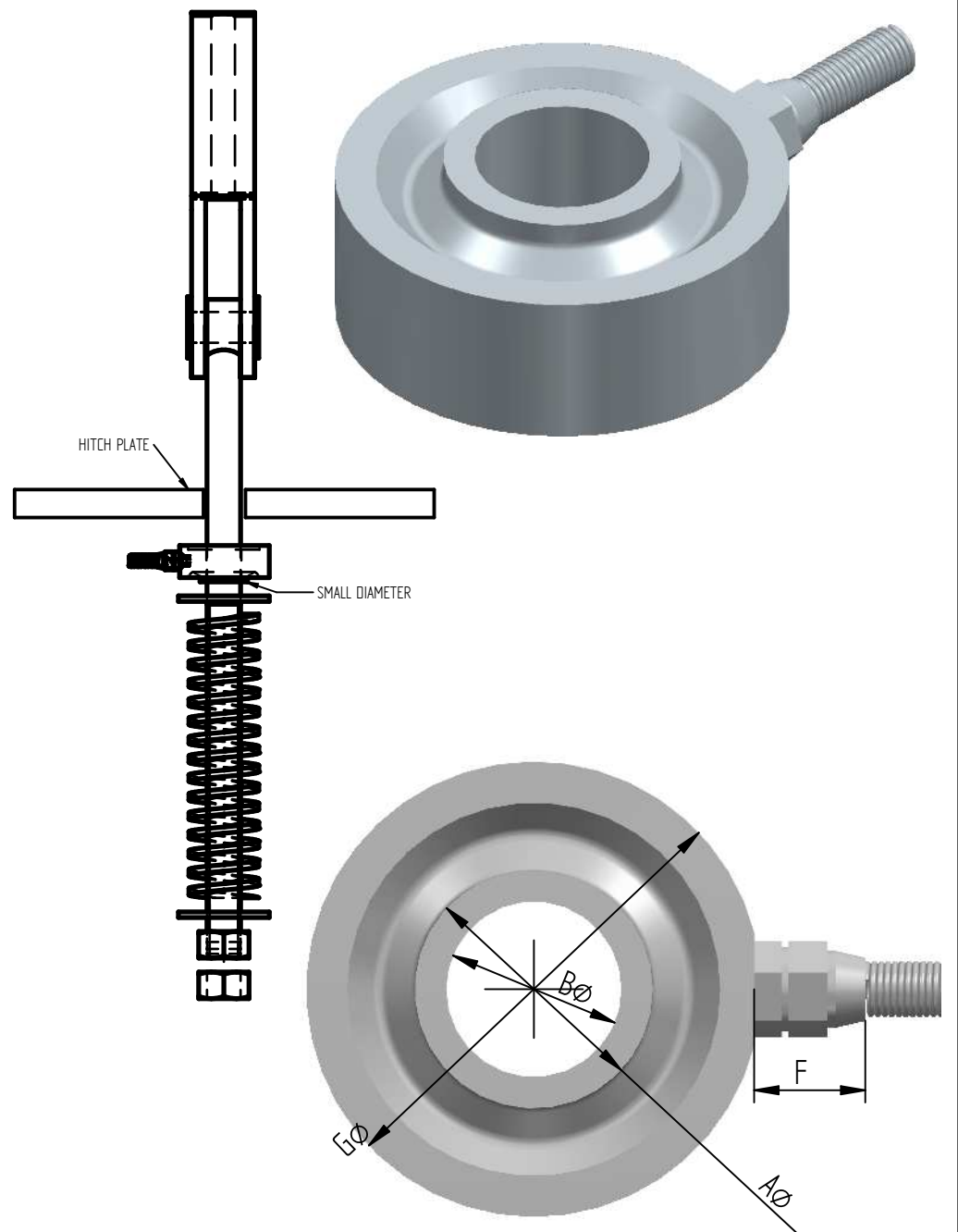
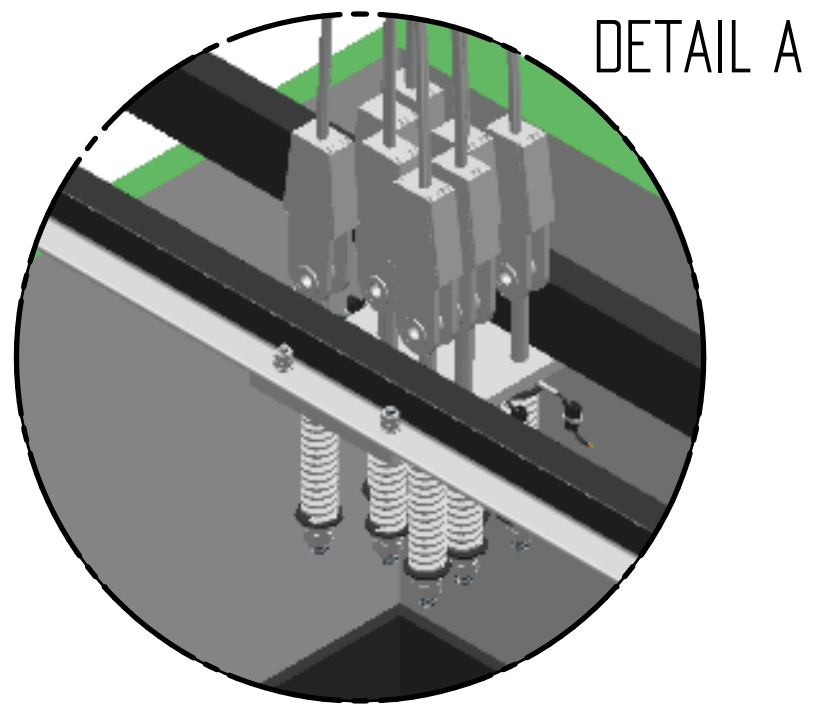
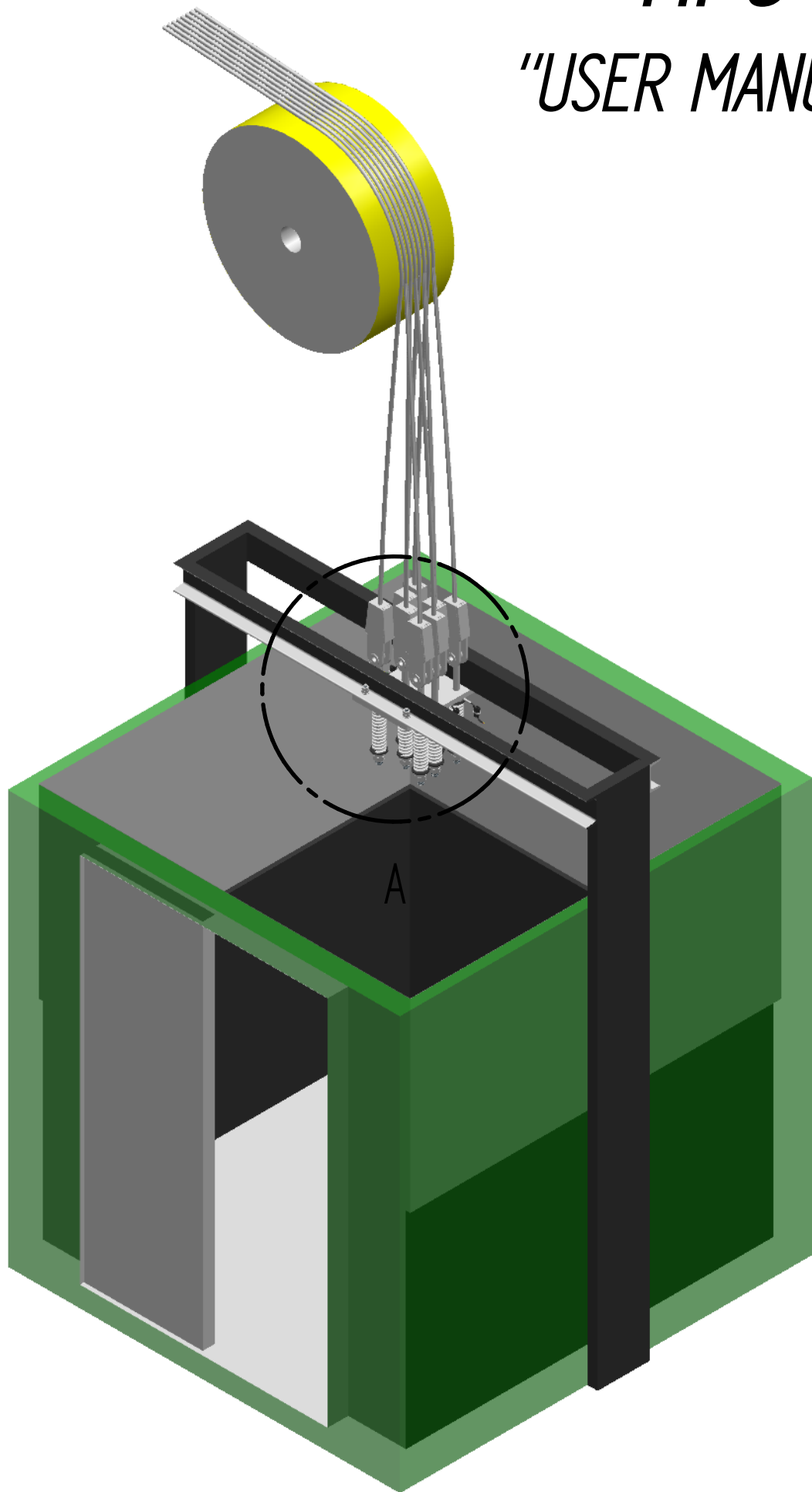
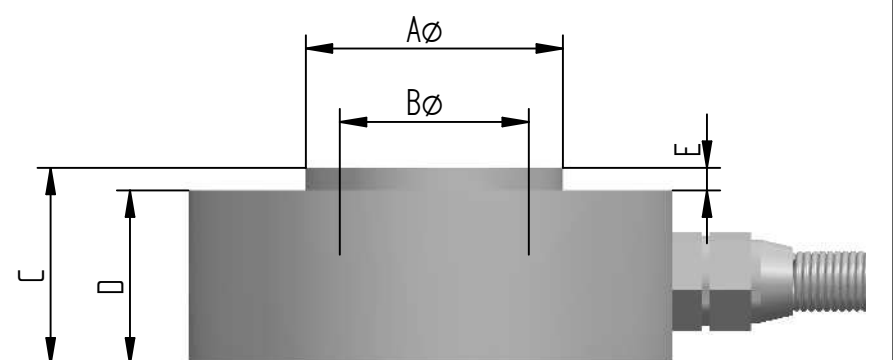


# HPS

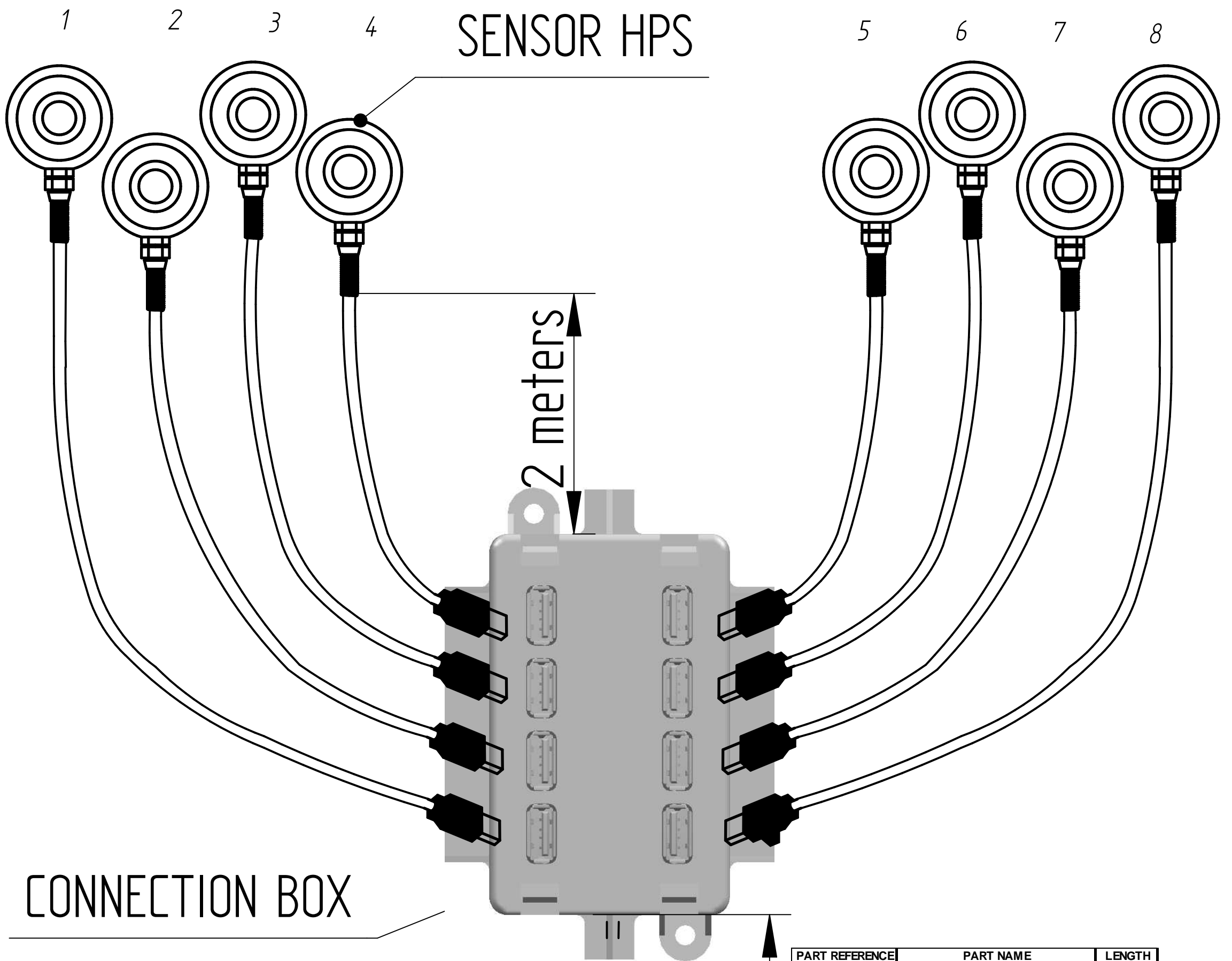
## "USER MANUAL"



SENSOR MODEL		ROPES		RANGE		DRAFT REFERENCE	ORDER REFERENCE
mm	inch	∅ mm	∅ inch	Kg	Lbs		
M12	15/32	~4-8	5/32-15/16	500	1100	01061115-0	P-HPS-001
M12	15/32	~4-8	5/32-15/16	1000	2200	02250315-C	P-HPS-002
M16	5/8	~6-14	1/4-9/16	1000	2200	01250315-B	P-HPS-003
M20	25/32	~8-16	15/16-5/8	1000	2200	00210616-0	P-HPS-007
M24	15/16	~12-17	15/32-11/16	5000	11000	00250315-D	P-HPS-004
.....							
M16	5/8	~6-14	1/4-9/16	2000	4400	02210116-0	P-HPS-006
M24	15/16	~12-17	15/32-11/16	2000	4400	02101012-B	P-HPS-005



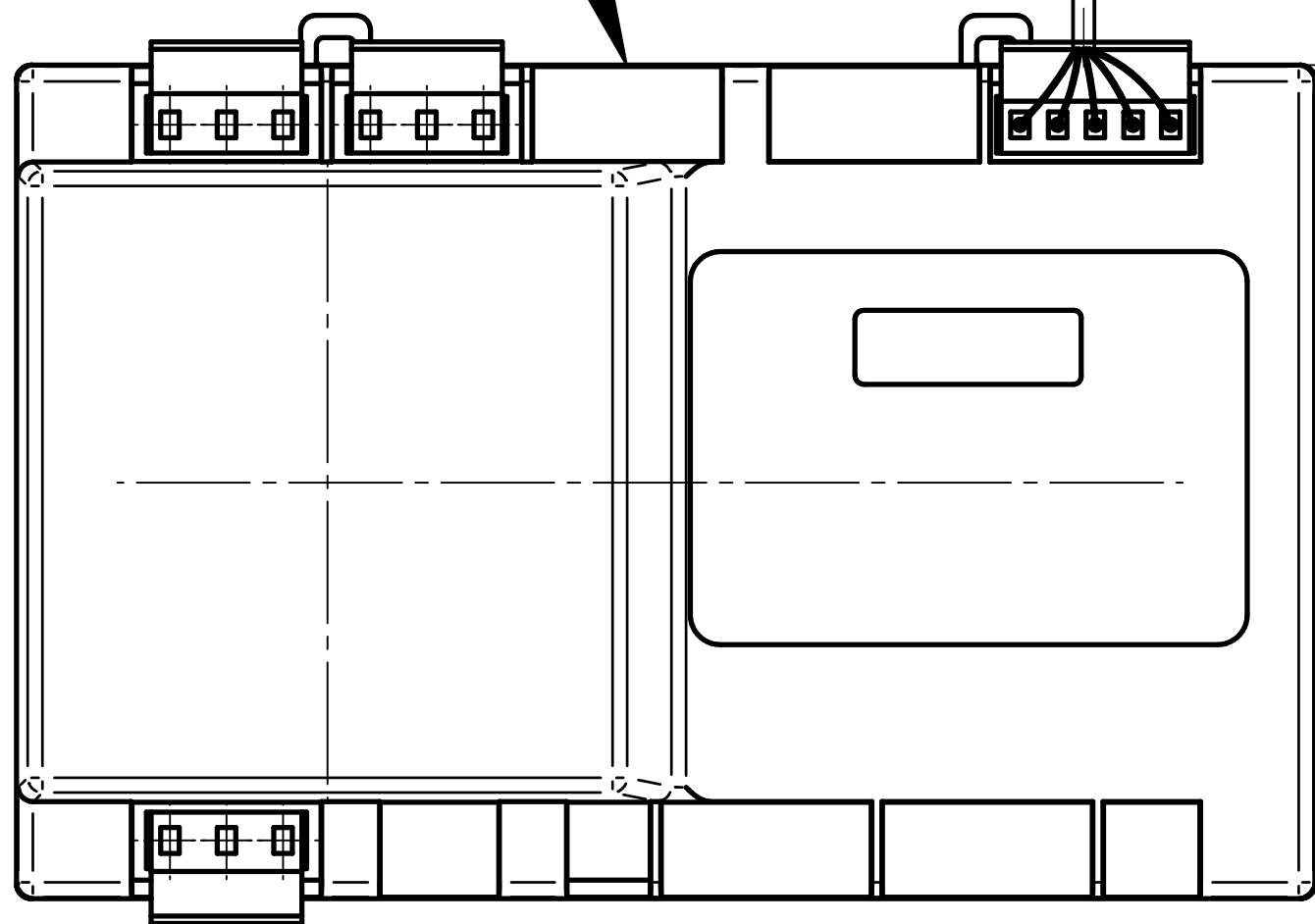
SENSOR MODEL		ORDER REFERENCE	DIMENSIONS						
mm	inch		A	B	C	D	E	F	G
M12	15/32	P-HPS-001	18	12,5	23	21	2	15,9	40
M12	15/32	P-HPS-002	18	12,5	23	21	2	15,9	40
M16	5/8	P-HPS-003	25	16,5	20	18	2	15,9	52
M20	25/32	P-HPS-007	27	21	20	18	2	15,9	54
M24	15/16	P-HPS-004	34	25	26	23	3	15,9	65



CONNECTION BOX

OUTPUT

LM3D BOX



PART REFERENCE	PART NAME	LENGTH
P-CABLE-02	Connection cable length 2 meters	2 meters
P-CABLE-05	Connection cable length 5 meters	5 meters
P-CABLE-10	Connection cable length 10 meters	10 meters
P-CABLE-15	Connection cable length 15 meters	15 meters
P-CABLE-20	Connection cable length 20 meters	20 meters
P-CABLE-25	Connection cable length 25 meters	25 meters

Length

CONNECTION BOX-CODE	
CODE	INPUTS
P-USB-BOX-001	8 USB INPUTS
P-USB-BOX-002	16 USB INPUTS

